



268  
HANDHELD CASES

292  
UNIVERSAL  
ENCLOSURES

318  
HEAVY DUTY  
AND ELECTRICAL  
ENCLOSURES

342  
DESKTOP AND  
INSTRUMENT  
CASES

348  
DEVELOPMENT  
BOARD  
ENCLOSURES

367  
VERSATILE IOT  
AND SENSOR  
ENCLOSURES

370  
CUSTOM SIZED  
ENCLOSURES

PLASTIC ENCLOSURES

# X7 series electrical heavy duty enclosures - polycarbonate

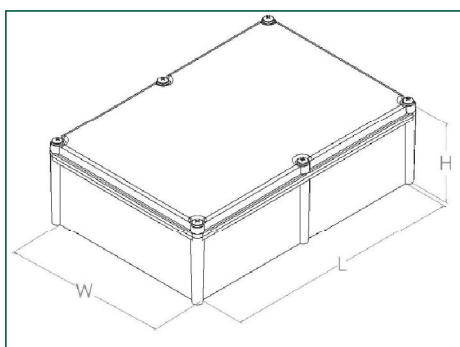
## Product overview

- Heavy duty screw type enclosure
- Moulded in high quality polycarbonate
- Pillars in the base can be used for PCB mounting or DIN rail mounting, etc.
- Gasket moulded into the enclosure lid
- Clear lid option available
- Captive, polyamide lid screws included
- Wall mount accessory available
- X7 series meets the requirements of IP67 (equivalent to NEMA 6)
- IK08 impact tested

CHDX7



SPECIFICATION	
Materials	Polycarbonate UL94-V0
Operating temperature	-40°C to +110°C
Protection class	X7 series has been tested and meets the requirements of IP67, IK08
Standard colours	Grey, transparent lid option
Standard unit Includes	Box and lid, 4 screws
Available accessories	Mount plates, vents, wall mounts



SOLID LID	CLEAR LID	LENGTH	WIDTH	HEIGHT	CORNER PILLARS
CHDX7-237	CHDX7-237C	80mm	80mm	60mm	No
CHDX7-221	CHDX7-221C	190mm	190mm	130mm	Yes
CHDX7-222	CHDX7-222C	380mm	190mm	130mm	Yes
CHDX7-223	CHDX7-223C	380mm	190mm	180mm	Yes
CHDX7-224	CHDX7-224C	380mm	280mm	180mm	Yes
CHDX7-225	CHDX7-225C	430mm	330mm	180mm	Yes
CHDX7-226	CHDX7-226C	280mm	190mm	130mm	Yes
CHDX7-227	CHDX7-227C	280mm	190mm	180mm	Yes
CHDX7-228	CHDX7-228C	280mm	280mm	130mm	Yes
CHDX7-229	CHDX7-229C	340mm	280mm	130mm	Yes
CHDX7-230	CHDX7-230C	380mm	280mm	130mm	Yes
CHDX7-231	CHDX7-231C	560mm	280mm	130mm	Yes
CHDX7-232	CHDX7-232C	560mm	380mm	180mm	Yes

## KEY FEATURES

Rugged heavy duty mould | IP67 rated enclosure | PCB stand offs



268  
HANDHELD CASES

292  
UNIVERSAL  
ENCLOSURES

318  
HEAVY DUTY  
AND ELECTRICAL  
ENCLOSURES

342  
DESKTOP AND  
INSTRUMENT  
CASES

348  
DEVELOPMENT  
BOARD  
ENCLOSURES

367  
VERSATILE IOT  
AND SENSOR  
ENCLOSURES

370  
CUSTOM SIZED  
ENCLOSURES

# X7 series electrical heavy duty enclosures - ABS

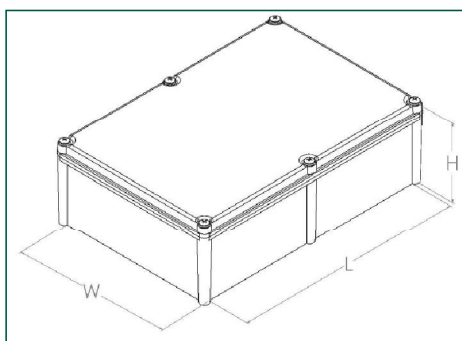
## Product overview

- Heavy duty screw type enclosure
- Moulded in high quality ABS
- Pillars in the base can be used for PCB mounting or DIN rail mounting, etc.
- Gasket moulded into the enclosure lid
- Clear lid option available
- Captive, polyamide lid screws included
- Wall mount accessory available
- X7 series meets the requirements of IP67 (equivalent to NEMA 6)
- IK08 impact tested

CHDX7



SPECIFICATION	
Materials	ABS UL94-HB
Operating temperature	-40°C to +70°C
Protection class	X7 series has been tested and meets the requirements of IP67, IK08
Standard colours	Grey, transparent lid option
Standard unit includes	Box and lid, 4 screws
Available accessories	Mount plates, vents, wall mounts



SOLID LID	CLEAR LID	LENGTH	WIDTH	HEIGHT	CORNER PILLARS
CHDX7-337	CHDX7-337C	80mm	80mm	60mm	No
CHDX7-321	CHDX7-321C	190mm	190mm	130mm	Yes
CHDX7-322	CHDX7-322C	380mm	190mm	130mm	Yes
CHDX7-323	CHDX7-323C	380mm	190mm	180mm	Yes
CHDX7-324	CHDX7-324C	380mm	280mm	180mm	Yes
CHDX7-325	CHDX7-325C	430mm	330mm	180mm	Yes
CHDX7-326	CHDX7-326C	280mm	190mm	130mm	Yes
CHDX7-327	CHDX7-327C	280mm	190mm	180mm	Yes
CHDX7-328	CHDX7-328C	280mm	280mm	130mm	Yes
CHDX7-329	CHDX7-329C	340mm	280mm	130mm	Yes
CHDX7-330	CHDX7-330C	380mm	280mm	130mm	Yes
CHDX7-331	CHDX7-331C	560mm	280mm	130mm	Yes
CHDX7-332	CHDX7-332C	560mm	380mm	180mm	Yes

## KEY FEATURES

Rugged heavy duty mould | IP67 rated enclosure | PCB stand offs



PLASTIC ENCLOSURES

324

+44 (0)1638 716101 | sales@camdenboss.com | www.camdenboss.com

We operate a constant improvement policy, our products are subject to change without notice.

Vers 5



FM 28614

## ACCESSORIES

Vents to fit X6, X7 and X8 enclosures

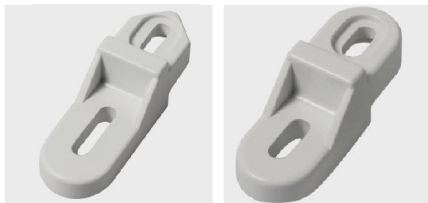
- Vents in two sizes for heat extraction
- The vent includes a gasket for water resistant applications
- Designed to meet the requirements of IP34



PART NO.	CUTOUT DIAMETER	MATERIAL
CHDA201V	63	Polycarbonate
CHDA202V	88	Polycarbonate
CHDA301V	63	ABS
CHDA302V	88	ABS

Mounting brackets to fit X6, X7 and X8 enclosures

- Brackets to mount each enclosure to any surface/wall
- See cross reference page 328 to select the correct size for your enclosure



PART NO.	SIZE	
CHDAPB014/4	1	Size 1 Bracket, 4x12 S/T Screw, 4pc kit
CHDAPB015/4	1	Size 1 Bracket, 5x12 S/T Screw, 4pc kit
CHDAPB025/4	2	Size 2 Bracket, M5x12 Screw, 4pc kit
CHDAPB025/6	2	Size 2 Bracket, M5x12 Screw, 6pc kit
CHDAPB026/6	2	Size 2 Bracket, M6x12 Screw, 6pc kit

Mounting plates to fit X6, X7 and X8 enclosures

- Material: Steel
- Mounting plates for each enclosure available
- See cross reference page 329 to select the correct size for your enclosure



PART NO.	LENGTH	WIDTH
CHDASMP21	65mm	95mm
CHDASMP22	65mm	115mm
CHDASMP23	65mm	165mm
CHDASMP24	65mm	235mm
CHDASMP25	101mm	161mm
CHDASMP26	159mm	159mm
CHDASMP27	159mm	248mm
CHDASMP28	248mm	348mm
CHDASMP29	295mm	395mm
CHDASMP30	85mm	232mm
CHDASMP32	129mm	179mm
CHDASMP33	129mm	224mm
CHDASMP34	170mm	266mm
CHDASMP35	179mm	179mm
CHDASMP36	216mm	316mm
CHDASMP37	262mm	262mm
CHDASMP38	265mm	365mm
CHDASMP39	358mm	458mm
CHDASMP40	450mm	555mm
CHDASMP41	550mm	755mm
CHDASMP42	248mm	248mm
CHDASMP43	248mm	308mm
CHDASMP44	232mm	535mm
CHDASMP45	345mm	535mm
CHDASMP46	159mm	348mm
CHDASMP49	65mm	65mm

268  
HANDHELD CASES

292  
UNIVERSAL  
ENCLOSURES

318  
HEAVY DUTY  
AND ELECTRICAL  
ENCLOSURES

342  
DESKTOP AND  
INSTRUMENT  
CASES

348  
DEVELOPMENT  
BOARD  
ENCLOSURES

367  
VERSATILE IOT  
AND SENSOR  
ENCLOSURES

370  
CUSTOM SIZED  
ENCLOSURES

## ACCESSORIES

Dual door to fit the X8 enclosure

- Dual door available for some sizes
- Easy to assemble, sturdy construction
- See cross reference page 328 to select the correct size for your enclosure



PART NO.	KIT INCLUDES
CHDX807DD	4 legs, 1 door, 1 door handle, 1 frame, 8 screws
CHDX808DD	4 legs, 1 door, 1 door handle, 1 frame, 8 screws
CHDX810DD	4 legs, 1 door, 1 door handle, 1 frame, 8 screws
CHDX811DD	4 legs, 1 door, 1 door handle, 1 frame, 8 screws
CHDX812DD	4 legs, 1 door, 1 door handle, 1 frame, 8 screws
CHDX813DD	4 legs, 1 door, 1 door handle, 1 frame, 8 screws
CHDX814DD	4 legs, 1 door, 1 door handle, 1 frame, 8 screws

Lock to fit the X8 enclosure

- One or two locks can be fitted, depending on security level required
- See cross reference page 328 to select the correct size for your enclosure
- Moulded in high quality polycarbonate



PART NO.	SIZE
CHDA01IL	1
CHDA02IL	2
CHDA03IL	3
CHDA04IL	4



268  
HANDHELD CASES

ACCESSORIES FOR X6, X7 AND X8 SERIES

ENCLOSURE PART NO.		W/MOUNT					LOCKS			DUAL DOOR							
POLY	ABS	CHDAPB014/4	CHDAPB015/4	CHDAPB025/4	CHDAPB025/6	CHDAPB026/6	CHDA01L	CHDA02L	CHDA03L	CHDA04L	CHDX807DD	CHDX808DD	CHDX80TDD	CHDX811DD	CHDX812DD	CHDX813DD	CHDX814DD
CHDX6-221	CHDX6-321		●														
CHDX6-222	CHDX6-322		●														
CHDX6-223	CHDX6-323		●														
CHDX6-224	CHDX6-324		●														
CHDX6-225	CHDX6-325		●														
CHDX6-226	CHDX6-326		●														
CHDX6-227	CHDX6-327		●														
CHDX6-228	CHDX6-328		●														
CHDX6-229	CHDX6-329		●														
CHDX6-230	CHDX6-330		●														
CHDX7-221	CHDX7-321			●													
CHDX7-222	CHDX7-322			●													
CHDX7-223	CHDX7-323			●													
CHDX7-224	CHDX7-324			●													
CHDX7-225	CHDX7-325			●													
CHDX7-226	CHDX7-326			●													
CHDX7-227	CHDX7-327			●													
CHDX7-228	CHDX7-328			●													
CHDX7-229	CHDX7-329			●													
CHDX7-230	CHDX7-330			●													
CHDX7-231	CHDX7-331			●													
CHDX7-232	CHDX7-332			●													
CHDX7-237	CHDX7-327																
CHDX8-221	CHDX8-321	●					●										
CHDX8-222	CHDX8-322	●					●										
CHDX8-223	CHDX8-333	●					●										
CHDX8-224	CHDX8-324	●					●										
CHDX8-225	CHDX8-325	●					●										
CHDX8-226	CHDX8-326	●					●										
CHDX8-227	CHDX8-327			●				●			●						
CHDX8-228	CHDX8-328			●				●				●					
CHDX8-229	CHDX8-329			●				●									
CHDX8-230	CHDX8-330			●				●					●				
CHDX8-231	CHDX8-331			●				●						●			
CHDX8-232	CHDX8-332			●				●							●		
CHDX8-233	CHDX8-333			●				●		●						●	
CHDX8-234	CHDX8-334				●					●							●
CHDX8-235	CHDX8-335					●				●							
CHDX8-236	CHDX8-336					●				●							

\*Add 'c' suffix for clear lid versions



+44 (0)1638 716101 | sales@camdenboss.com | www.camdenboss.com

We operate a constant improvement policy, our products are subject to change without notice.

Vers 2

292  
UNIVERSAL  
ENCLOSURES

318  
HEAVY DUTY  
AND ELECTRICAL  
ENCLOSURES

342  
DESKTOP AND  
INSTRUMENT  
CASES

348  
DEVELOPMENT  
BOARD  
ENCLOSURES

367  
VERSATILE IOT  
AND SENSOR  
ENCLOSURES

370  
CUSTOM SIZED  
ENCLOSURES

PLASTIC ENCLOSURES

329

268  
HANDHELD CASES

292  
UNIVERSAL  
ENCLOSURES

318  
HEAVY DUTY  
AND ELECTRICAL  
ENCLOSURES

342  
DESKTOP AND  
INSTRUMENT  
CASES

348  
DEVELOPMENT  
BOARD  
ENCLOSURES

367  
VERSATILE IOT  
AND SENSOR  
ENCLOSURES

370  
CUSTOM SIZED  
ENCLOSURES

ENCLOSURE PART NO.		MOUNTING PLATES																						
POLY	ABS	CHDASMP25	CHDASMP26	CHDASMP27	CHDASMP28	CHDASMP29	CHDASMP30	CHDASMP31	CHDASMP32	CHDASMP33	CHDASMP34	CHDASMP35	CHDASMP36	CHDASMP37	CHDASMP38	CHDASMP39	CHDASMP40	CHDASMP41	CHDASMP42	CHDASMP43	CHDASMP44	CHDASMP45	CHDASMP46	
CHDX6-229	CHDX6-329	●																						
CHDX6-230	CHDX6-330	●																						
CHDX7-221	CHDX7-321		●																					
CHDX7-222	CHDX7-322																							●
CHDX7-223	CHDX7-323																							●
CHDX7-224	CHDX7-324				●																			
CHDX7-225	CHDX7-325					●																		
CHDX7-226	CHDX7-326			●																				
CHDX7-227	CHDX7-327			●																				
CHDX7-228	CHDX7-328																			●				
CHDX7-229	CHDX7-329																				●			
CHDX7-230	CHDX7-330				●																			
CHDX7-231	CHDX7-331																					●		
CHDX7-232	CHDX7-332																							●
CHDX8-221	CHDX8-321							●																
CHDX8-222	CHDX8-322							●																
CHDX8-223	CHDX8-323								●															
CHDX8-224	CHDX8-324								●															
CHDX8-225	CHDX8-325									●														
CHDX8-226	CHDX8-326										●													
CHDX8-227	CHDX8-327											●												
CHDX8-228	CHDX8-328												●											
CHDX8-229	CHDX8-329													●										
CHDX8-230	CHDX8-330														●									
CHDX8-231	CHDX8-331															●								
CHDX8-232	CHDX8-332																●							
CHDX8-233	CHDX8-333																	●						
CHDX8-234	CHDX8-334																		●					
CHDX8-235	CHDX8-335																			●				
CHDX8-236	CHDX8-336																				●			

\*Add 'c' suffix for clear lid versions

PLASTIC ENCLOSURES

330

+44 (0)1638 716101 | sales@camdenboss.com | www.camdenboss.com

We operate a constant improvement policy, our products are subject to change without notice.

Vers 2



FM 28614