

X6 Series IP67 Electrical Knockout Enclosure - Polycarbonate

Product overview

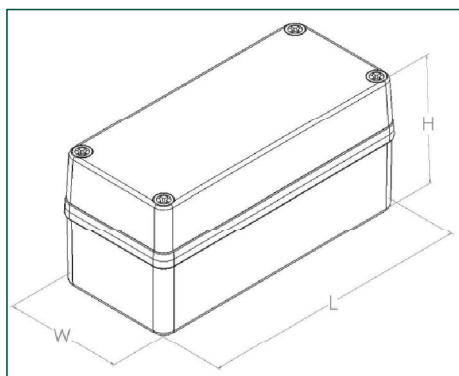
- Screw type lid with knockouts on the base
- Moulded in high quality polycarbonate
- Pillars in the base can be used for PCB mounting or DIN rail mounting, etc.
- Gasket moulded into the enclosure lid
- Clear lid option available
- Captive, polyamide lid screws included
- Larger sizes include two brass inserts at either end of the base, suitable for DIN rails
- Wall mounting accessories available
- X6 series meets the requirements of IP67 (equivalent to NEMA 6)
- IK08 impact tested

CHDX6



SPECIFICATION

| | |
|------------------------|--|
| Materials | Polycarbonate UL94-V0 |
| Operating temperature | -40°C to +110°C |
| Protection class | X6 series has been tested and meets the requirements of IP67, IK08 |
| Standard colours | Grey, transparent lid option |
| Standard unit includes | Box, lid, 4 screws |
| Available accessories | Mount plates and wall mounts |



| SOLID LID | CLEAR LID | LENGTH | WIDTH | HEIGHT |
|-----------|------------|--------|-------|--------|
| CHDX6-221 | CHDX6-221C | 110mm | 80mm | 70mm |
| CHDX6-222 | CHDX6-222C | 110mm | 80mm | 85mm |
| CHDX6-223 | CHDX6-223C | 130mm | 80mm | 70mm |
| CHDX6-224 | CHDX6-224C | 130mm | 80mm | 85mm |
| CHDX6-225 | CHDX6-225C | 180mm | 80mm | 70mm |
| CHDX6-226 | CHDX6-226C | 180mm | 80mm | 85mm |
| CHDX6-227 | CHDX6-227C | 250mm | 80mm | 70mm |
| CHDX6-228 | CHDX6-228C | 250mm | 80mm | 85mm |
| CHDX6-229 | CHDX6-229C | 175mm | 127mm | 75mm |
| CHDX6-230 | CHDX6-230C | 175mm | 127mm | 100mm |

KEY FEATURES

IP67 rated enclosure | IK07/08 impact tested | Metric sized knockouts

292
UNIVERSAL
PLASTIC
ENCLOSURES317
HEAVY DUTY
AND ELECTRICAL
ENCLOSURES341
DEVELOPMENT
BOARD
ENCLOSURES369
VERSATILE IOT
AND SENSOR
ENCLOSURES

268
HANDHELD CASES

292
UNIVERSAL
PLASTIC
ENCLOSURES

317
HEAVY DUTY
AND ELECTRICAL
ENCLOSURES

341
DEVELOPMENT
BOARD
ENCLOSURES

369
VERSATILE IOT
AND SENSOR
ENCLOSURES

X6 Series IP67 Electrical Knockout Enclosure - ABS

Product overview

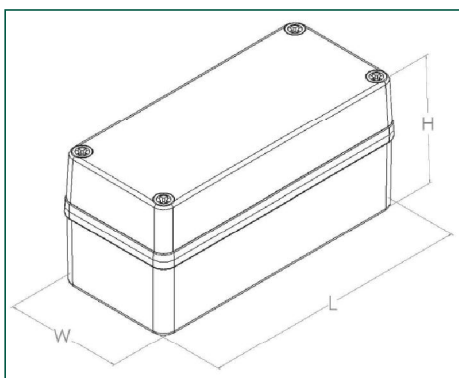
- Screw type lid with knockouts on the base
- Moulded in high quality ABS
- Pillars in the base can be used for PCB mounting or DIN rail mounting, etc.
- Gasket moulded into the enclosure lid
- Clear lid option available
- Captive, polyamide lid screws included
- Larger sizes include two brass inserts at either end of the base, suitable for DIN rails
- Wall mounting accessories available
- X6 series meets the requirements of IP67 (equivalent to NEMA 6)
- IK08 impact tested

CHDX6



SPECIFICATION

| | |
|------------------------|--|
| Materials | ABS UL94-HB |
| Operating temperature | -40°C to +70°C |
| Protection class | X6 series has been tested and meets the requirements of IP67, IK08 |
| Standard colours | Grey, transparent lid option |
| Standard unit includes | Box, lid, 4 screws |
| Available accessories | Mount plates and wall mounts |



| SOLID LID | CLEAR LID | LENGTH | WIDTH | HEIGHT |
|-----------|------------|--------|-------|--------|
| CHDX6-321 | CHDX6-321C | 110mm | 80mm | 70mm |
| CHDX6-322 | CHDX6-322C | 110mm | 80mm | 85mm |
| CHDX6-323 | CHDX6-323C | 130mm | 80mm | 70mm |
| CHDX6-324 | CHDX6-324C | 130mm | 80mm | 85mm |
| CHDX6-325 | CHDX6-325C | 180mm | 80mm | 70mm |
| CHDX6-326 | CHDX6-326C | 180mm | 80mm | 85mm |
| CHDX6-327 | CHDX6-327C | 250mm | 80mm | 70mm |
| CHDX6-328 | CHDX6-328C | 250mm | 80mm | 85mm |
| CHDX6-329 | CHDX6-329C | 175mm | 127mm | 75mm |
| CHDX6-330 | CHDX6-330C | 175mm | 127mm | 100mm |

KEY FEATURES

High quality ABS | IP67 rated enclosure | IK07/08 impact tested



PLASTIC ENCLOSURES

320

+44 (0)1638 716101 | sales@camdenboss.com | www.camdenboss.com

We operate a constant improvement policy, our products are subject to change without notice.

Vers 4



FM 28614

ACCESSORIES

Vents to fit X6, X7 and X8 enclosures

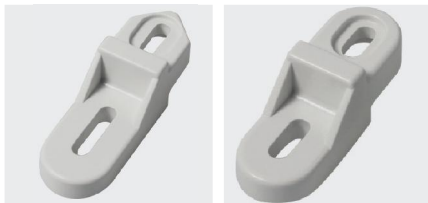
- Vents in two sizes for heat extraction
- The vent includes a gasket for water resistant applications
- Designed to meet the requirements of IP34



| PART NO. | CUTOUT DIAMETER | MATERIAL |
|----------|-----------------|---------------|
| CHDA201V | 63 | Polycarbonate |
| CHDA202V | 88 | Polycarbonate |
| CHDA301V | 63 | ABS |
| CHDA302V | 88 | ABS |

Mounting brackets to fit X6, X7 and X8 enclosures

- Brackets to mount each enclosure to any surface/wall
- See cross reference page 328 to select the correct size for your enclosure



| PART NO. | SIZE | |
|-------------|------|---|
| CHDAPB014/4 | 1 | Size 1 Bracket, 4x12 S/T Screw, 4pc kit |
| CHDAPB015/4 | 1 | Size 1 Bracket, 5x12 S/T Screw, 4pc kit |
| CHDAPB025/4 | 2 | Size 2 Bracket, M5x12 Screw, 4pc kit |
| CHDAPB025/6 | 2 | Size 2 Bracket, M5x12 Screw, 6pc kit |
| CHDAPB026/6 | 2 | Size 2 Bracket, M6x12 Screw, 6pc kit |

Mounting plates to fit X6, X7 and X8 enclosures

- Material: Steel
- Mounting plates for each enclosure available
- See cross reference page 329 to select the correct size for your enclosure



| PART NO. | LENGTH | WIDTH |
|-----------|--------|-------|
| CHDASMP21 | 65mm | 95mm |
| CHDASMP22 | 65mm | 115mm |
| CHDASMP23 | 65mm | 165mm |
| CHDASMP24 | 65mm | 235mm |
| CHDASMP25 | 101mm | 161mm |
| CHDASMP26 | 159mm | 159mm |
| CHDASMP27 | 159mm | 248mm |
| CHDASMP28 | 248mm | 348mm |
| CHDASMP29 | 295mm | 395mm |
| CHDASMP30 | 85mm | 232mm |
| CHDASMP32 | 129mm | 179mm |
| CHDASMP33 | 129mm | 224mm |
| CHDASMP34 | 170mm | 266mm |
| CHDASMP35 | 179mm | 179mm |
| CHDASMP36 | 216mm | 316mm |
| CHDASMP37 | 262mm | 262mm |
| CHDASMP38 | 265mm | 365mm |
| CHDASMP39 | 358mm | 458mm |
| CHDASMP40 | 450mm | 555mm |
| CHDASMP41 | 550mm | 755mm |
| CHDASMP42 | 248mm | 248mm |
| CHDASMP43 | 248mm | 308mm |
| CHDASMP44 | 232mm | 535mm |
| CHDASMP45 | 345mm | 535mm |
| CHDASMP46 | 159mm | 348mm |
| CHDASMP49 | 65mm | 65mm |

268
HANDHELD CASES

292
UNIVERSAL
ENCLOSURES

318
HEAVY DUTY
AND ELECTRICAL
ENCLOSURES

342
DESKTOP AND
INSTRUMENT
CASES

348
DEVELOPMENT
BOARD
ENCLOSURES

367
VERSATILE IOT
AND SENSOR
ENCLOSURES

370
CUSTOM SIZED
ENCLOSURES

ACCESSORIES

Dual door to fit the X8 enclosure

- Dual door available for some sizes
- Easy to assemble, sturdy construction
- See cross reference page 328 to select the correct size for your enclosure



| PART NO. | KIT INCLUDES |
|-----------|--|
| CHDX807DD | 4 legs, 1 door, 1 door handle, 1 frame, 8 screws |
| CHDX808DD | 4 legs, 1 door, 1 door handle, 1 frame, 8 screws |
| CHDX810DD | 4 legs, 1 door, 1 door handle, 1 frame, 8 screws |
| CHDX811DD | 4 legs, 1 door, 1 door handle, 1 frame, 8 screws |
| CHDX812DD | 4 legs, 1 door, 1 door handle, 1 frame, 8 screws |
| CHDX813DD | 4 legs, 1 door, 1 door handle, 1 frame, 8 screws |
| CHDX814DD | 4 legs, 1 door, 1 door handle, 1 frame, 8 screws |

Lock to fit the X8 enclosure

- One or two locks can be fitted, depending on security level required
- See cross reference page 328 to select the correct size for your enclosure
- Moulded in high quality polycarbonate



| PART NO. | SIZE |
|----------|------|
| CHDA01IL | 1 |
| CHDA02IL | 2 |
| CHDA03IL | 3 |
| CHDA04IL | 4 |

ACCESSORIES FOR X6, X7 AND X8 SERIES

| ENCLOSURE PART NO. | | W/MOUNT | | | | | LOCKS | | | DUAL DOOR | | | | | | | |
|--------------------|-----------|-------------|-------------|-------------|-------------|-------------|---------|---------|---------|-----------|-----------|-----------|-----------|-----------|-----------|-----------|-----------|
| POLY | ABS | CHDAPB014/4 | CHDAPB015/4 | CHDAPB025/4 | CHDAPB025/6 | CHDAPB026/6 | CHDA01L | CHDA02L | CHDA03L | CHDA04L | CHDX807DD | CHDX808DD | CHDX80TDD | CHDX811DD | CHDX812DD | CHDX813DD | CHDX814DD |
| CHDX6-221 | CHDX6-321 | | ● | | | | | | | | | | | | | | |
| CHDX6-222 | CHDX6-322 | | ● | | | | | | | | | | | | | | |
| CHDX6-223 | CHDX6-323 | | ● | | | | | | | | | | | | | | |
| CHDX6-224 | CHDX6-324 | | ● | | | | | | | | | | | | | | |
| CHDX6-225 | CHDX6-325 | | ● | | | | | | | | | | | | | | |
| CHDX6-226 | CHDX6-326 | | ● | | | | | | | | | | | | | | |
| CHDX6-227 | CHDX6-327 | | ● | | | | | | | | | | | | | | |
| CHDX6-228 | CHDX6-328 | | ● | | | | | | | | | | | | | | |
| CHDX6-229 | CHDX6-329 | | ● | | | | | | | | | | | | | | |
| CHDX6-230 | CHDX6-330 | | ● | | | | | | | | | | | | | | |
| CHDX7-221 | CHDX7-321 | | | ● | | | | | | | | | | | | | |
| CHDX7-222 | CHDX7-322 | | | ● | | | | | | | | | | | | | |
| CHDX7-223 | CHDX7-323 | | | ● | | | | | | | | | | | | | |
| CHDX7-224 | CHDX7-324 | | | ● | | | | | | | | | | | | | |
| CHDX7-225 | CHDX7-325 | | | ● | | | | | | | | | | | | | |
| CHDX7-226 | CHDX7-326 | | | ● | | | | | | | | | | | | | |
| CHDX7-227 | CHDX7-327 | | | ● | | | | | | | | | | | | | |
| CHDX7-228 | CHDX7-328 | | | ● | | | | | | | | | | | | | |
| CHDX7-229 | CHDX7-329 | | | ● | | | | | | | | | | | | | |
| CHDX7-230 | CHDX7-330 | | | ● | | | | | | | | | | | | | |
| CHDX7-231 | CHDX7-331 | | | ● | | | | | | | | | | | | | |
| CHDX7-232 | CHDX7-332 | | | ● | | | | | | | | | | | | | |
| CHDX7-237 | CHDX7-327 | | | | | | | | | | | | | | | | |
| CHDX8-221 | CHDX8-321 | ● | | | | | ● | | | | | | | | | | |
| CHDX8-222 | CHDX8-322 | ● | | | | | ● | | | | | | | | | | |
| CHDX8-223 | CHDX8-333 | ● | | | | | ● | | | | | | | | | | |
| CHDX8-224 | CHDX8-324 | ● | | | | | ● | | | | | | | | | | |
| CHDX8-225 | CHDX8-325 | ● | | | | | ● | | | | | | | | | | |
| CHDX8-226 | CHDX8-326 | ● | | | | | ● | | | | | | | | | | |
| CHDX8-227 | CHDX8-327 | | | ● | | | | ● | | | ● | | | | | | |
| CHDX8-228 | CHDX8-328 | | | ● | | | | ● | | | | ● | | | | | |
| CHDX8-229 | CHDX8-329 | | | ● | | | | ● | | | | | | | | | |
| CHDX8-230 | CHDX8-330 | | | ● | | | | ● | | | | | ● | | | | |
| CHDX8-231 | CHDX8-331 | | | ● | | | | ● | | | | | | ● | | | |
| CHDX8-232 | CHDX8-332 | | | ● | | | | ● | | | | | | | ● | | |
| CHDX8-233 | CHDX8-333 | | | ● | | | | | ● | | | | | | | ● | |
| CHDX8-234 | CHDX8-334 | | | | ● | | | | | ● | | | | | | | ● |
| CHDX8-235 | CHDX8-335 | | | | | ● | | | | ● | | | | | | | |
| CHDX8-236 | CHDX8-336 | | | | | ● | | | | ● | | | | | | | |

*Add 'c' suffix for clear lid versions

292
UNIVERSAL
ENCLOSURES

318
HEAVY DUTY
AND ELECTRICAL
ENCLOSURES

342
DESKTOP AND
INSTRUMENT
CASES

348
DEVELOPMENT
BOARD
ENCLOSURES

367
VERSATILE IOT
AND SENSOR
ENCLOSURES

370
CUSTOM SIZED
ENCLOSURES

PLASTIC ENCLOSURES

329



268
HANDHELD CASES

292
UNIVERSAL
ENCLOSURES

318
HEAVY DUTY
AND ELECTRICAL
ENCLOSURES

342
DESKTOP AND
INSTRUMENT
CASES

348
DEVELOPMENT
BOARD
ENCLOSURES

367
VERSATILE IOT
AND SENSOR
ENCLOSURES

370
CUSTOM SIZED
ENCLOSURES

| ENCLOSURE PART NO. | | MOUNTING PLATES | | | | | | | | | | | | | | | | | | | | | | |
|--------------------|-----------|-----------------|-----------|-----------|-----------|-----------|-----------|-----------|-----------|-----------|-----------|-----------|-----------|-----------|-----------|-----------|-----------|-----------|-----------|-----------|-----------|-----------|-----------|---|
| POLY | ABS | CHDASMP25 | CHDASMP26 | CHDASMP27 | CHDASMP28 | CHDASMP29 | CHDASMP30 | CHDASMP31 | CHDASMP32 | CHDASMP33 | CHDASMP34 | CHDASMP35 | CHDASMP36 | CHDASMP37 | CHDASMP38 | CHDASMP39 | CHDASMP40 | CHDASMP41 | CHDASMP42 | CHDASMP43 | CHDASMP44 | CHDASMP45 | CHDASMP46 | |
| CHDX6-229 | CHDX6-329 | ● | | | | | | | | | | | | | | | | | | | | | | |
| CHDX6-230 | CHDX6-330 | ● | | | | | | | | | | | | | | | | | | | | | | |
| CHDX7-221 | CHDX7-321 | | ● | | | | | | | | | | | | | | | | | | | | | |
| CHDX7-222 | CHDX7-322 | | | | | | | | | | | | | | | | | | | | | | | ● |
| CHDX7-223 | CHDX7-323 | | | | | | | | | | | | | | | | | | | | | | | ● |
| CHDX7-224 | CHDX7-324 | | | | ● | | | | | | | | | | | | | | | | | | | |
| CHDX7-225 | CHDX7-325 | | | | | ● | | | | | | | | | | | | | | | | | | |
| CHDX7-226 | CHDX7-326 | | | ● | | | | | | | | | | | | | | | | | | | | |
| CHDX7-227 | CHDX7-327 | | | ● | | | | | | | | | | | | | | | | | | | | |
| CHDX7-228 | CHDX7-328 | | | | | | | | | | | | | | | | | | ● | | | | | |
| CHDX7-229 | CHDX7-329 | | | | | | | | | | | | | | | | | | | ● | | | | |
| CHDX7-230 | CHDX7-330 | | | ● | | | | | | | | | | | | | | | | | | | | |
| CHDX7-231 | CHDX7-331 | | | | | | | | | | | | | | | | | | | | | | ● | |
| CHDX7-232 | CHDX7-332 | | | | | | | | | | | | | | | | | | | | | | | ● |
| CHDX8-221 | CHDX8-321 | | | | | | | ● | | | | | | | | | | | | | | | | |
| CHDX8-222 | CHDX8-322 | | | | | | | ● | | | | | | | | | | | | | | | | |
| CHDX8-223 | CHDX8-323 | | | | | | | | ● | | | | | | | | | | | | | | | |
| CHDX8-224 | CHDX8-324 | | | | | | | | ● | | | | | | | | | | | | | | | |
| CHDX8-225 | CHDX8-325 | | | | | | | | | ● | | | | | | | | | | | | | | |
| CHDX8-226 | CHDX8-326 | | | | | | | | | | ● | | | | | | | | | | | | | |
| CHDX8-227 | CHDX8-327 | | | | | | | | | | | ● | | | | | | | | | | | | |
| CHDX8-228 | CHDX8-328 | | | | | | | | | | | ● | | | | | | | | | | | | |
| CHDX8-229 | CHDX8-329 | | | | | | | | | | | | ● | | | | | | | | | | | |
| CHDX8-230 | CHDX8-330 | | | | | | | | | | | | | ● | | | | | | | | | | |
| CHDX8-231 | CHDX8-331 | | | | | | | | | | | | | | ● | | | | | | | | | |
| CHDX8-232 | CHDX8-332 | | | | | | | | | | | | | | | ● | | | | | | | | |
| CHDX8-233 | CHDX8-333 | | | | | | | | | | | | | | | | ● | | | | | | | |
| CHDX8-234 | CHDX8-334 | | | | | | | | | | | | | | | | | ● | | | | | | |
| CHDX8-235 | CHDX8-335 | | | | | | | | | | | | | | | | | | ● | | | | | |
| CHDX8-236 | CHDX8-336 | | | | | | | | | | | | | | | | | | | ● | | | | |

*Add 'c' suffix for clear lid versions