

97 Series Desktop Aluminium Enclosure

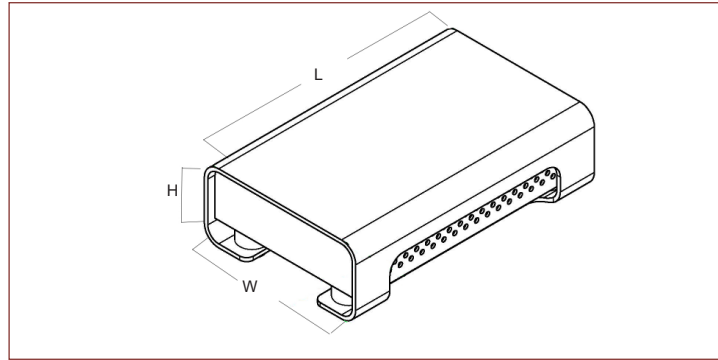
TAKACHI

Product overview

- Distinctively designed aluminium case
- Polished, elegant and sleek metallic silver finish
- Suitable for embedded system, measurement equipment, data transmitter and audio



PART NO.	LENGTH	WIDTH	HEIGHT
CDM9702SL	93mm	65mm	32mm
CDM9704SL	165mm	111mm	37.6mm
CDM9706SL	165mm	111mm	57.6mm
CDM9708SL	152mm	151mm	52.6mm
CDM9710SL	108mm	157mm	47.6mm
CDM9712SL	200mm	160mm	37.6mm
CDM9714SL	200mm	192mm	62.1mm
CDM9716SL	240mm	210mm	122.1mm
CDM9718SL	190mm	260mm	67.1mm
CDM9720SL	220mm	320mm	87.1mm



KEY FEATURES

Distinctively designed | Suitable for many devices | Sleek finish



97 Series Raspberry Pi Desktop Aluminium Enclosure

Product overview

- Exclusively for use with Raspberry Pi
- Compatible with Raspberry Pi 2 and 3 boards
- All aluminium, polished and elegant metallic silver finish

PART NO.	LENGTH	WIDTH	HEIGHT
CDM9701SL	93mm	65mm	32mm

