

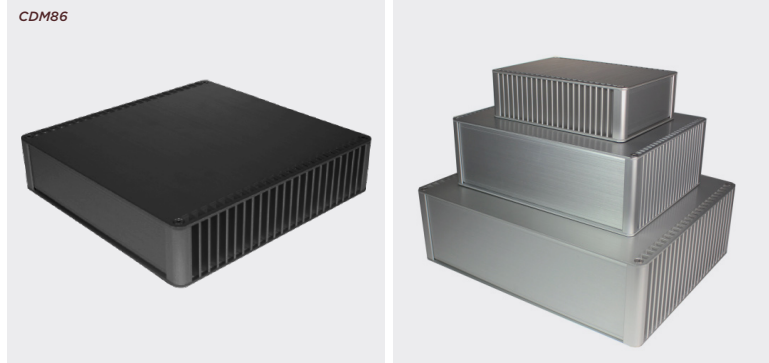
86 Series Heatsink Aluminium Enclosure



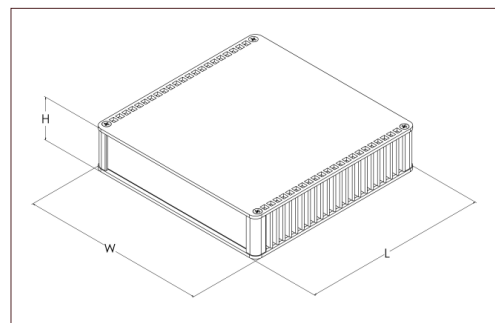
Product overview

Stylish aluminium heatsink cases.

- Heatsink is incorporated into the side plate
- Audio style aluminium enclosures
- Available in 12 sizes in black and silver
- Easily customised and light weight
- 86 series has been designed to meet the requirements of IP40



SPECIFICATION	
Materials	Lid and body - aluminium (anodised)
Standard colours	Silver and black
Standard unit includes	Rubber feet and screws, lid and base
IP rating	86 series has been designed to meet the requirements of IP40



BLACK PART NO.	LENGTH	WIDTH	HEIGHT
CDM8601BK	130mm	89mm	20mm
CDM8602BK	130mm	89mm	40mm
CDM8603BK	130mm	130mm	30mm
CDM8604BK	130mm	130mm	50mm
CDM8605BK	130mm	180mm	40mm
CDM8606BK	130mm	180mm	60mm
CDM8607BK	180mm	128mm	30mm
CDM8608BK	180mm	128mm	50mm
CDM8609BK	180mm	174mm	40mm
CDM8610BK	180mm	174mm	60mm
CDM8611BK	180mm	228mm	50mm
CDM8612BK	180mm	228mm	70mm

SILVER PART NO.	LENGTH	WIDTH	HEIGHT
CDM8601SL	130mm	89mm	20mm
CDM8602SL	130mm	89mm	40mm
CDM8603SL	130mm	130mm	30mm
CDM8604SL	130mm	130mm	50mm
CDM8605SL	130mm	180mm	40mm
CDM8606SL	130mm	180mm	60mm
CDM8607SL	180mm	128mm	30mm
CDM8608SL	180mm	128mm	50mm
CDM8609SL	180mm	174mm	40mm
CDM8610SL	180mm	174mm	60mm
CDM8611SL	180mm	228mm	50mm
CDM8612SL	180mm	228mm	70mm

KEY FEATURES

Ideal for audio applications | Lightweight | Stylish

