

Room Sensor Enclosure



Product overview

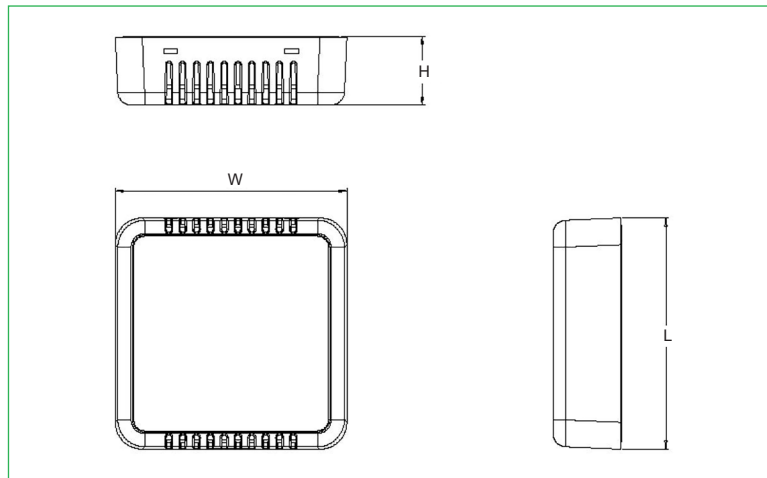
A range of versatile wall mountable enclosures, available in two body types, three sizes and three colours. The vented housing allows airflow, making them ideal for thermostats, environmental sensing and IoT applications. The solid housing lends itself to wall mount controls and smart applications such as lighting, security or network modules.

- Moulded in recyclable ABS UL94-V0
- Front and back clip together construction (tool required for disassembly once mounted)
- Internal PCB mount pillars moulded into the front and back sections of the housing (Pi A+ fits base of CBR502, no PCB mounts in back of CBR503)
- Internal clips moulded into fronts for snap-in PCB (Arduino fits CBR502 and Thunder Sense fits CBR503)
- Recessed front face for overlay
- Recesses in rear face for additional labelling (CBRS01 and CBR502)
- Solid and vented versions available
- Rear knockout for cable entry (20mm diameter)
- Multiple mounting options, including single gang UK-plug back box (CBRS01)
- Sizes to house standard batteries: PP3-9V & AA in CBR501 & CBR502, CR3032 Coin-Cell in CBR503
- Three colour options: white RAL9003, light grey RAL7047 and black RAL9005
- Manufactured in the UK



SPECIFICATION	
Materials	ABS UL94-V0
Operating temperature	-10°C to +70°C
Standard unit includes	Enclosure lid Enclosure base
Protection	Vented - IP20 / Solid - IP40

WHITE	BLACK	GREY	SIZE	STYLE	LENGTH	WIDTH	HEIGHT
CBRS01SWH	CBRS01SBK	CBRS01SGY	1	Solid	86mm	86mm	25.5mm
CBRS01VWH	CBRS01VBK	CBRS01VGY	1	Vented	86mm	86mm	25.5mm
CBRS02SWH	CBRS02SBK	CBRS02SGY	2	Solid	74mm	74mm	25.5mm
CBRS02VWH	CBRS02VBK	CBRS02VGY	2	Vented	74mm	74mm	25.5mm
CBRS03SWH	CBRS03SBK	CBRS03SGY	3	Solid	51mm	51mm	25.5mm
CBRS03VWH	CBRS03VBK	CBRS03VGY	3	Vented	51mm	51mm	25.5mm



KEY FEATURES

Smart electronics enclosure | No screws needed | Easy wall mounting



Avenida de Somo Sierra, 22 - naves E 6 y 7 - P. E. Inbisa I
ES28703 San Sebastián de los Reyes (Madrid)
Teléfono / Phone: +34 916 381 331

BELTRONICA

PLASTIC ENCLOSURES