

268
HANDHELD CASES

292
UNIVERSAL ENCLOSURES

318
HEAVY DUTY AND ELECTRICAL ENCLOSURES

342
DESKTOP AND INSTRUMENT CASES

348
DEVELOPMENT BOARD ENCLOSURES

367
VERSATILE IOT AND SENSOR ENCLOSURES

370
CUSTOM SIZED ENCLOSURES

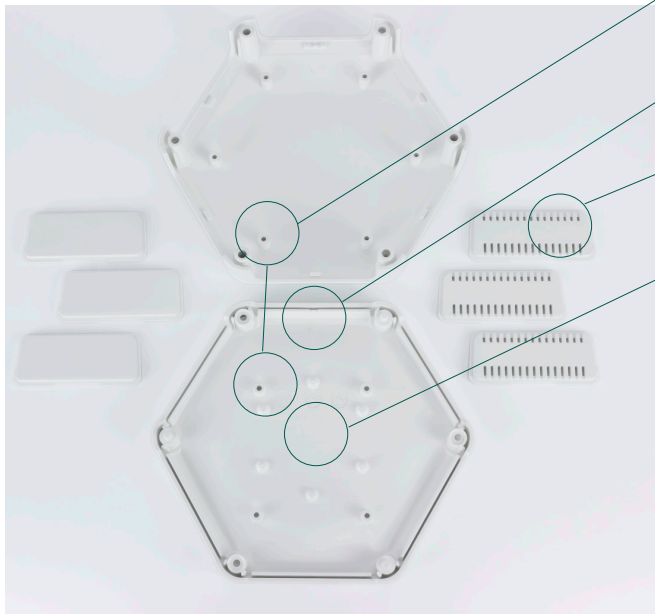
BELLTRONICA
PLASTIC ENCLOSURES

Hex-Box IoT enclosure

Product overview

This UK manufactured Hex-Box has been designed with customisation and user flexibility at heart. The 100% recyclable housing features six self-retaining panels which you can mix and match to suit your requirement. The enclosure offers huge connector access and air flow benefits, ideal for industrial IoT settings. The design features and modern aesthetic create the perfect enclosure for walls (when paired with the wall mount bracket) or desks (when paired with the rubber feet), each sold separately.

Key features



PCB mounting in the top and base

Six bosses in the top, four in the base with Raspberry Pi mountable footprint

Number index in base

Aids wall mounting

Self-retaining removable end panels

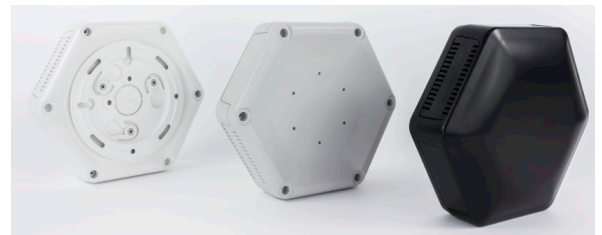
Allows cable entries from all sides. Panels can be easily customised and are available as either solid or vented

Guide for cable knock-out

Aids customisation with alignment of wall mount bracket

Smooth bevelled lid with flat top

Suitable for a 2.5" screen and perfect for digital printing



RANGE SPECIFICATION				
STANDARD UNIT INCLUDES	Base, top, 6 x panels, 3 x 16mm thread forming (Pozi CSK) screws			
MATERIALS	Base	UL94-V0 ABS		
	Top	UL94-V0 ABS		
	Screws	BZP (Bright Zinc Plated Steel)		
COLOURS	Grey	RAL7047		
	Black	RAL9005		
	White	RAL9003		
COMPLIANCE	RoHS compliant			
OPERATING TEMPERATURE	-10°C to +80°C			
TEST RESULTS	Standard	Test	Result	Test report
	EN 62262	Impact test	IK07	TR112
	BS EN 60529	IP code	Vented: IP30	TR110
Solid: IP40				
SCREW TORQUE	Pozi CSK screws	0.3Nm		
PURCHASING INFORMATION	Country of origin	Great Britain (GB)		
	Commodity code	3923101000		
	Weight	120g		
	Enclosure type	Versatile sensor and IoT enclosures		
OPTIONS	For alternative colours and materials MOQs will apply			

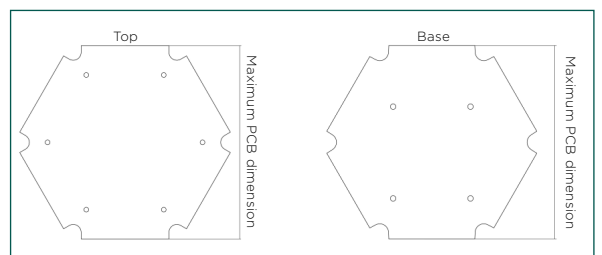
Potential industries / applications

Industrial IoT, smart home, smart office, retail, speaker/ alarm buzzer, meeting room device, network equipment, environmental sensor equipment, development board electronics.

PCB positions

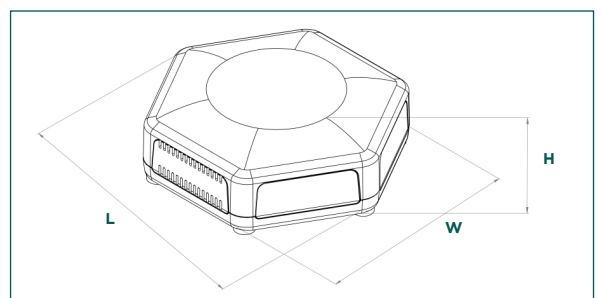
PCB MOUNTING POSITION	MAXIMUM PCB DIMENSION
BASE	122.2mm Hex A/F
TOP	121.8mm Hex A/F

When using a 1.6mm thick PCB, you will need No.4x6.5mm self-tapping screws (not supplied)



Enclosure dimensions

EXTERNAL (LxWxH)	INTERNAL (LxWxH)	WALL THICKNESS
146 x 130 x 45 mm	122.5 x 125.5 x 34.5 mm	2.5 mm



CHOOSE YOUR ENCLOSURE COMBINATION				
OPTION	DESCRIPTION	GREY (GY)	BLACK (BK)	WHITE (WH)
Option 1	1 x enclosure and 6 x solid panels	CBHEXI-60-GY	CBHEXI-60-BK	CBHEXI-60-WH
Option 2	1 x enclosure, 5 x solid panels and 1 x vented panel	CBHEXI-51-GY	CBHEXI-51-BK	CBHEXI-51-WH
Option 3	1 x enclosure, 4 x solid panels and 2 x vented panels	CBHEXI-42-GY	CBHEXI-42-BK	CBHEXI-42-WH
Option 4	1 x enclosure, 3 x solid panels and 3 x vented panels	CBHEXI-33-GY	CBHEXI-33-BK	CBHEXI-33-WH
Option 5	1 x enclosure, 2 x solid panels and 4 x vented panels	CBHEXI-24-GY	CBHEXI-24-BK	CBHEXI-24-WH
Option 6	1 x enclosure, 1 x solid panels and 5 x vented panels	CBHEXI-15-GY	CBHEXI-15-BK	CBHEXI-15-WH
Option 7	1 x enclosure and 6 x vented panels	CBHEXI-06-GY	CBHEXI-06-BK	CBHEXI-06-WH
Option 8	1 x enclosure, 2 x customised solid panels to accommodate Raspberry Pi4, 2 x solid panels and 3 x vented panels	CBHEXI-PI4-GY	CBHEXI-PI4-BK	CBHEXI-PI4-WH

268
HANDHELD CASES

292
UNIVERSAL ENCLOSURES

318
HEAVY DUTY AND ELECTRICAL ENCLOSURES

342
DESKTOP AND INSTRUMENT CASES

348
DEVELOPMENT BOARD ENCLOSURES

367
VERSATILE IOT AND SENSOR ENCLOSURES

370
CUSTOM SIZED ENCLOSURES

Desk mount accessory

Product overview

The six rubber feet (CBHEX-FEET) turn your Hex-Box IoT Enclosure into a tabletop enclosure. Simply push the feet into the holes in the base of the Hex-Box IoT Enclosure.



Rubber feet

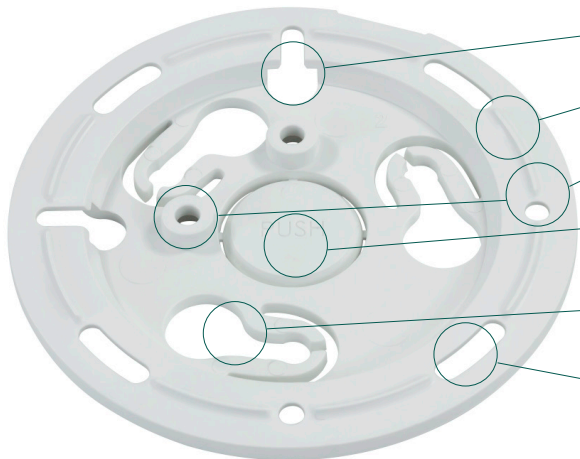


Wall mount accessory

Product overview

Transform your Hex-Box IoT Enclosure into a wall mountable enclosure with the Circular Wall Mount Bracket. This revolutionary circular mounting bracket is packed full of mounting options and offers seamless and discrete mounting to retain the modern aesthetic look of your housing, whilst gaining additional functionality.

Key features



Circular Wall Mount Bracket



- 2 x keyhole mounting slots**
Allow for quick and easy wall mounting
- Raised rib stand-offs**
Help with stability of the enclosure on uneven walls
- 2 x sets of UK single gang back box mounting points**
In two off centre orientations
- 25mm cable entry knock-out for cable management**
Customisation required to the enclosure base, using the guide provided
- Easy installation**
Screw the lugs to the enclosure, twist 30 degrees and your bracket is attached
- 4 x static mount points/slots**
Provides easy and flexible wall mount fitting

CIRCULAR WALL MOUNT BRACKET			
GREY (GY)	BLACK (BK)	WHITE (WH)	INCLUDED
CBWMC-GY	CBWMC-BK	CBWMC-WH	1 x circular wall mount bracket, 3 x screws, 3 x lugs
RANGE SPECIFICATION			
MATERIAL	Wall mount bracket	UL94-V0 ABS	
	Wall mount lugs	UL94-V0 ABS	
	Screws	BZP (Bright Zinc Plated Steel)	
DIAMETER	98.3 mm		
PURCHASING INFORMATION	Country of origin	Great Britain (GB)	
	Commodity code	3923101000	
	Weight	23.6g	



BELTRONICA

PLASTIC ENCLOSURES



FM 28614

Avenida de Somosierra, 22 - naves E 6 y 7 - P. E. Inbisa I

ES28703 San Sebastián de los Reyes (Madrid)

Teléfono / Phone: +34 916 381 331

378